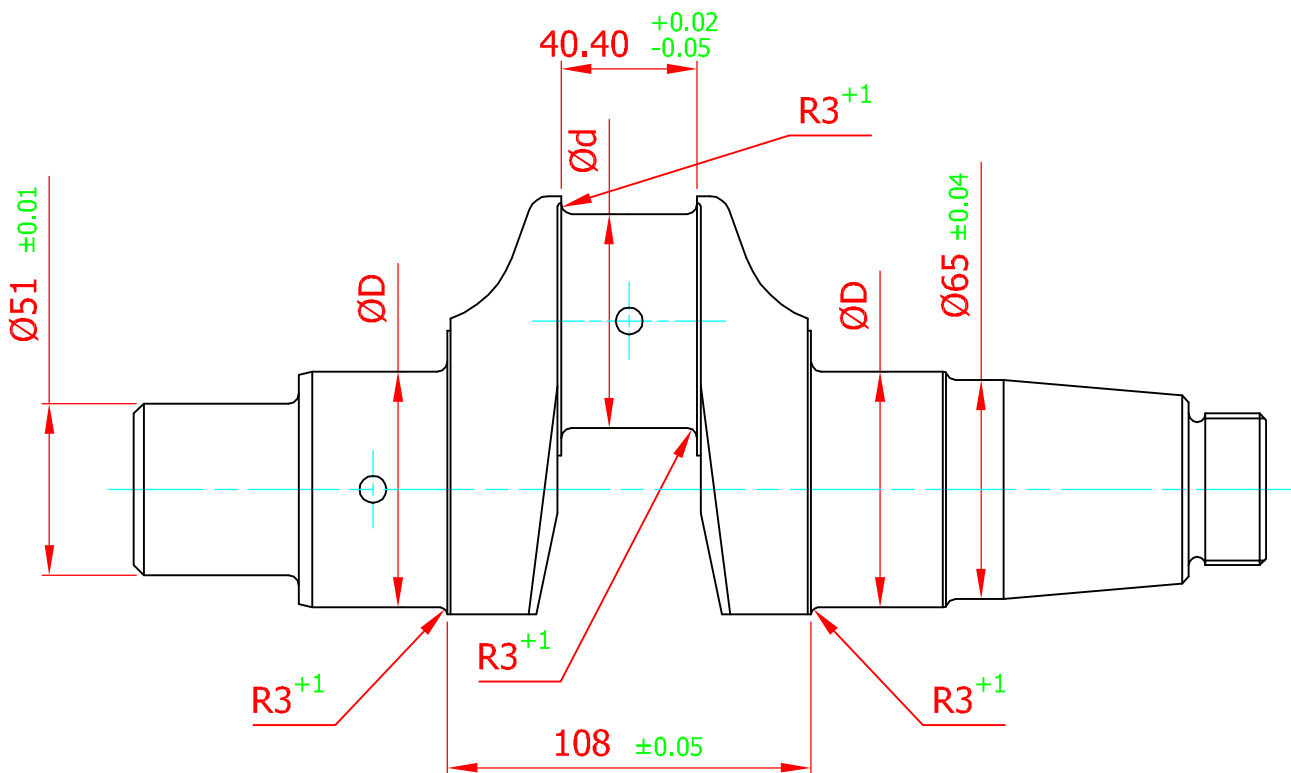


100-110mm. STROKE SINGLE CYLINDER CRANKSHAFT
 (MODEL : 7708,7710,7712,7716 - 9210,9212,9214,9219 - 11012)



ASSEMBLY INSTRUCTION
 2 UNITS OF FLYWHEEL
 HOUSING GASKET TO BE
 USED CRANKSHAFT
 THRUST WASHER
 CLEARANCE
 MINIMUM : 0.20 MM
 MAXIMUM : 0.35 MM
 MUST BE ADJUSTED AS
 ABOVE

SIZE	MAIN JOURNAL Diameter "D" mm.	CRANK PIN Diameter "d" mm.
STD.	<u>70.00</u>	<u>63.48</u>
	69.99	63.47
.010 us	<u>69.75</u>	<u>63.22</u>
	69.74	63.21
.020 us	<u>69.49</u>	<u>62.97</u>
	69.48	62.96
.030 us	<u>69.24</u>	<u>62.72</u>
	69.23	62.71
.040 us	<u>68.99</u>	<u>62.47</u>
	68.98	62.46
BEARING CLEARANCE	0.08 - 0.13	0.05 - 0.08